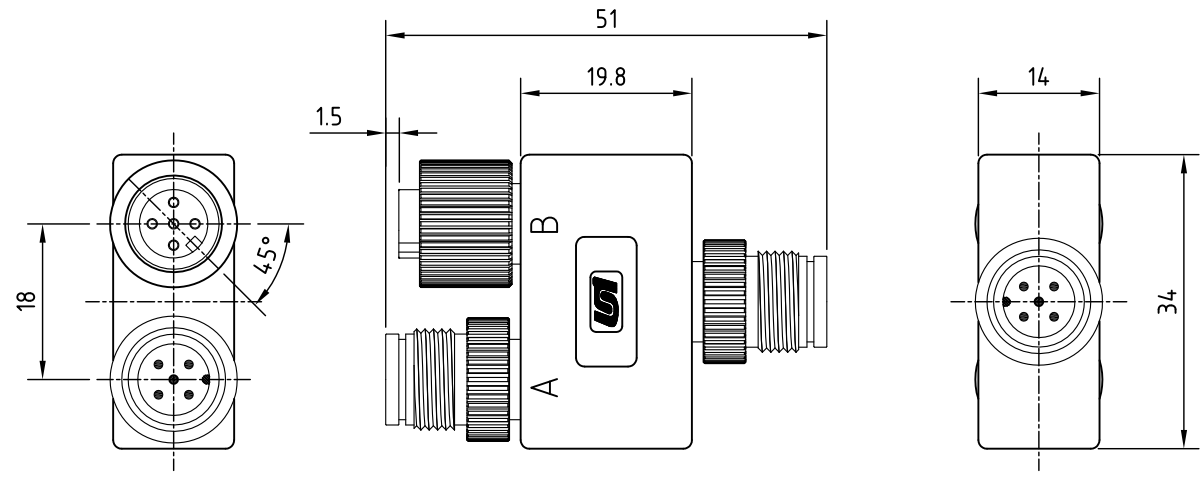


REV.	Description	Date
1	upgrade drawing	2016/10/7



### Specification of connector

#### General Characteristics

- Locking system : screw M12
- Shell protection : IP68
- Contact resistance :  $\leq 10\text{m}\Omega$
- Insulation resistance :  $>10\text{M}\Omega$

#### Materials

- Pin contact : brass
- Contact plating : gold
- Male insert : PA
- Female insert : PA
- Ring nut : chromium plated
- O-ring : rubber

RoHS  
TOLERANCE X $\pm$ 0.5 .X $\pm$ 0.3

CONTACT ARRANGEMENT FRONT VIEW (MALE)								
	2P	3P	4P	5P	6P	7P	8P	12P
CONTACT ARRANGEMENT FRONT VIEW (FEMALE)								
	2P	3P	4P	5P	6P	7P	8P	12P
Rated voltage	250V				125V		60V	
Rated current	5A				2A		1A	



**Unicable Co., Ltd. 國陽電業有限公司**  
5F., No. 111-33, Sec. 4, San Ho Road, San Chung City, Taiwan, R.O.C.  
<http://www.unicable.com.tw> TEL:+886-2-2286-2122 FAX:+886-2-2286-1010

DATE	2016/10/7	PART NO.	UT-D230-6-XP
DWN	GINA	REV.	1
CHK			
UNIT	MM		

ITEM	M12 Adaptor
------	-------------